



PROJECT		REF		REV	ITEM CODE	
LOCATION		DATE			PAGE	

SANITARY WARE SPECIFICATION SHEET

<p>Item Descriptions</p> <p>Dimensions</p> <p>Model</p> <p>Finish</p> <p>Manufacturer</p> <p>Source</p> <p>Contact Tel/Fax</p> <p>E-mail</p> <p>Website</p>	<p>Sloan (USA) "BASYS" Hardwired-powered deck-mounted low body faucet, 0.5gpm/2Lpm, multi-laminar spray, DC supply</p> <p>Refer to drawing</p> <p>EFX300.000.0000</p> <p>Polished Chrome</p> <p>Sloan (USA Brand)</p> <p>Acme Sanitary Ware Co. Ltd Mr. Eric Wong/ Mr. Don Yuen</p> <p>(852) 2388-7171 / (852) 2710-8012</p> <p>acme@acmesanitary.com.hk</p> <p>www.acmesanitary.com.hk</p>	<p style="text-align: center;">Illustration/ Drawing</p>	
<p>CODE NUMBER 3324088</p> <p>DESCRIPTION Hardwired Less Plug Power Supply, Mixer Not Included, Polished Chrome Finish, 0.5 gpm, Multi-Laminar Spray, Infrared Sensor, BASYS® Hardwired-Powered Deck-Mounted Low Body Faucet.</p> <p>DETAILS</p> <ul style="list-style-type: none"> • Flow Rate: 0.5 gpm (2 Lpm) (0.5GPM) • Spray Type: Multi-Laminar (MLM) • Sensor Type: Infrared (IR) • Mounting Type: Single Hole • Power Supply: Hardwired Less Plug (HLP) • Temperature Mixer: Mixer Not Included • Finish: Polished Chrome (CP) • Factory Default Timeout: 10s • Factory Default GPC: 0.083 		<p style="text-align: center;"> Hardwired with Battery Backup Ideal for new construction because it eliminates regular use of disposable batteries.</p> <p>COMPLIANCES & CERTIFICATIONS</p>	<p>Brushed Nickel Polished Brass Brushed Stainless Polished Chrome Matte Black</p>

Note: <https://vimeo.com/149812365>
<https://vimeo.com/149812363>

* All information of the above is for the reference only. No prior notice is made if any changes.



PROJECT		REF		REV	ITEM CODE	
LOCATION		DATE			PAGE	

SANITARY WARE SPECIFICATION SHEET

FEATURES

Commercial Grade, ADA Compliant, Electronic, Sensor-Activated, Die-Cast Metal Hand Washing Faucet with the following features:

- One tool service
- Solenoid housed in removable carrier that includes supply strainer
- Integral water supply shut off
- Vandal resistant spray insert, key housed inside faucet body
- All electronics sealed to IP-86
- Gold plated electrical contacts
- Above deck individual diagnostic indicators for battery life, solenoid condition, and power-up mode
- Flexible, high pressure supply hose, 3/8" compression connections
- Bi-stable magnetic solenoid
- Four (4) "AA" alkaline batteries
- Double infrared sensors with automatic setting feature
- Includes all mounting hardware
- Standard Bowed Crown

ELECTRICAL SPECIFICATIONS

- Battery Life: 3 years 8,000 cycles/month
- Optional power harvesting significantly extends service life
- Self-Adjustment Range: 0" (0mm)
- Sensor Range: 0" (0mm)
- Timeout Adjustment Settings: 10s

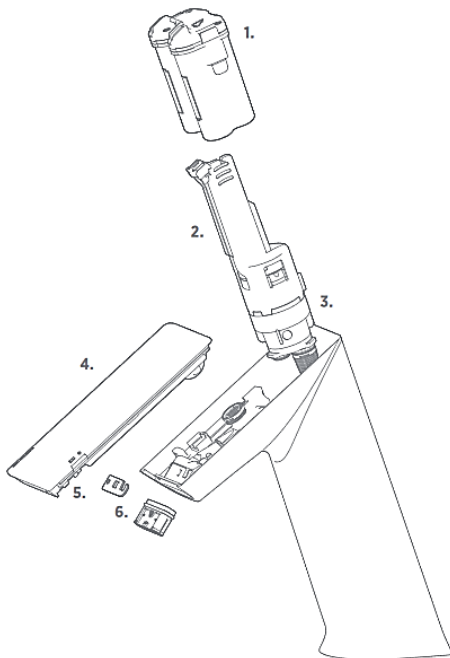
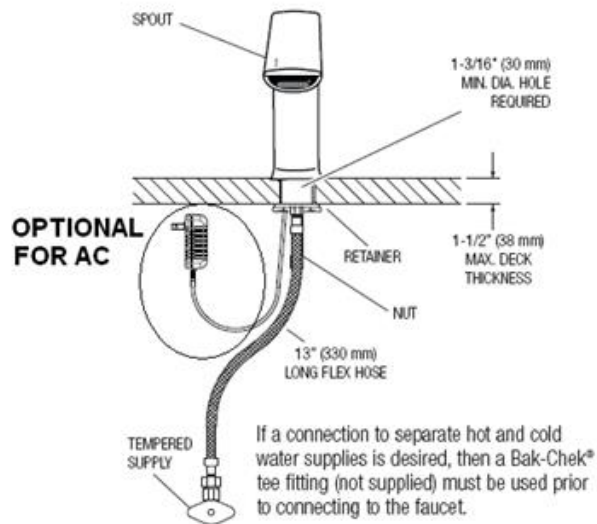
OPERATION

1. A continuous, invisible light beam is emitted from the sensor located at the front of the hand washing faucet.
2. As the user's hands enter the beam's effective range, the beam is reflected back into the sensor receiver and activates the solenoid valve allowing water to flow from the faucet. Water will flow until the hands are no longer sensed or until the faucet reaches its automatic time out limit setting.
3. When hands are moved away from the sensor, the loss of reflected light initiates an electrical signal that closes the solenoid valve shutting off the water flow. The circuit then automatically resets and is ready for the next user.



ROUGH-IN

Faucet with Single Line Water Supply



1. Battery caddy

Easily accessible and watertight.

2. Valve caddy/water shut-off

Shuts off water supply with one twist, without having to go below the sink.

3. Solenoid + filter

Bi-stable solenoid with integrated filter.

4. Removable crown

Upgrade product features in seconds.

5. External Indicators

Individual external diagnostic LEDs help quickly identify faucet status.

6. Exchange tool + spray Insert

Allows operators to remove, clean and replace the spray.

Note:

* All information of the above is for the reference only. No prior notice is made if any changes.